

DVB

DBS-2550/DBS-2500/DBS-1500

Owner's Manual

TRAXIS Corporation

Contents.....	1
General Information.....	2
Remote Control and Panel.....	3
First Time Installation.....	5
Language Setting.....	5
Antenna Setting.....	5
Satellite Scan	6
Basic Operation.....	7
Switching Channel.....	7
Volume Control.....	7
Change an Audio Language.....	7
EPG.....	7
Guide of Main Menu.....	8
Channel.....	8
Installation.....	9
System Setting.....	10
Game.....	11
Accessory	11
Menu Map.....	12
Trouble Shooting	13
Technical Specifications.....	14

General Information

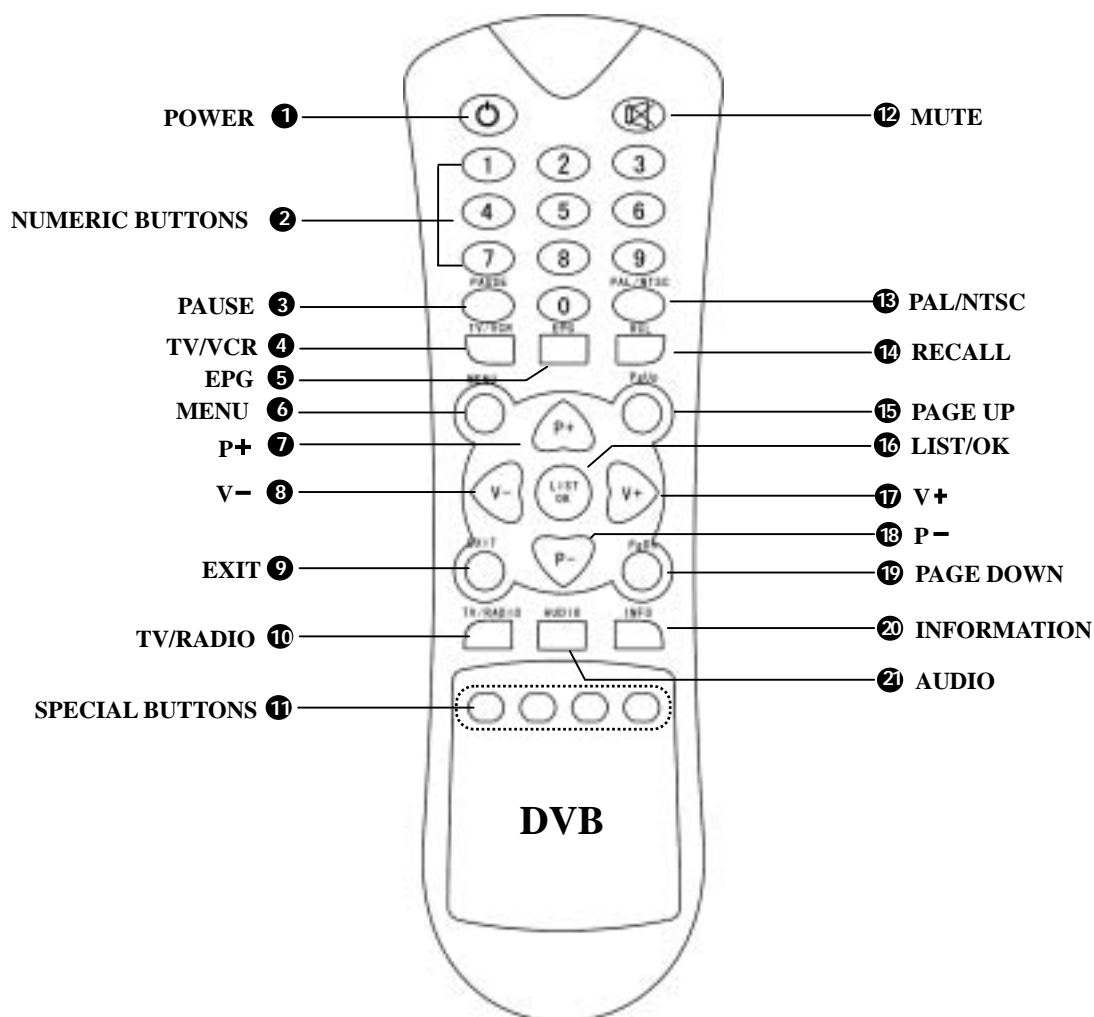
Throughout this manual you will notice that the everyday operation of your DVB is based on a series of user friendly on-screen displays and menus. These menus will help you get the most from your DVB, guiding you through installation, channel selection, viewing and many other functions. All functions can be carried out using the buttons on the remote control, and some of the functions can also be carried out using the buttons on the front panel. Please be aware that new software may change the functionality of the DVB. Should you experience any difficulties with the operation of your DVB, please consult the relevant section of this manual, including the Problem Solving, or alternatively call your dealer or a customer service adviser.

IMPORTANT! Read this before using the DVB!

- Allow 10 cm space around the DVB for sufficient ventilation.
- Do not cover the DVB's ventilation openings with items such as newspapers, table-cloths, curtains etc.
- Do not place the DVB on top of a unit that emits heat.
- Do not place naked flame sources, such as lighted candles, on the DVB.
- Use a soft cloth and a mild solution of washing-up liquid to clean the casing.
- Do not expose the DVB to dripping or splashing liquids.
- Do not place any objects filled with liquids, such as vases, on the DVB.
- To give your DVB an extra protection, e.g. at a thunderstorm, we recommend that you connect it via an external surge protection device.
- Do not connect or modify cables when the DVB is plugged in.
- Do not remove the cover.
- Do not allow the unit to be exposed to hot, cold or humid conditions.
- Please note that the only way to isolate the DVB completely from the mains supply is to unplug the mains cable!

Remote Control and Panel

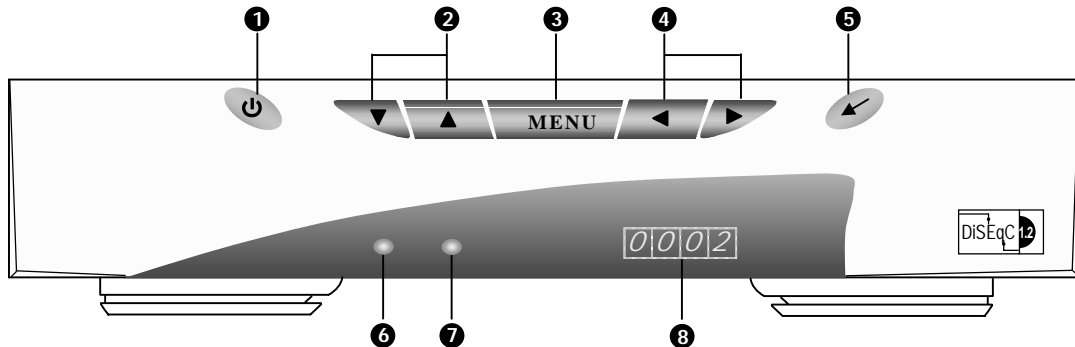
Remote Control



- 1. POWER:** Switch between Operation and Standby modes.
- 2. NUMERICAL BUTTONS:** Press to change channel or enter your numeric values on the menu.
- 3. PAUSE:** Pause the TV screen you are watching. Play the audio continuously.
- 4. TV/VCR:** Switches between TV and VCR modes.
- 5. EPG:** Display Electronic Program Guide menu.
- 6. MENU:** Display the main menu.
- 7. P + :** Press to move up in the menus or turn to the next channel in viewing mode.
- 8. V - :** Press to decrease the volume level in viewing mode or change settings in menu.
- 9. EXIT:** Exit the main menu or guide screen.
- 10. TV/RADIO:** Switch between TV and Radio modes.
- 11. SPECIAL BUTTONS:** Four special function buttons in four colors.
- 12. MUTE:** Pause the audio temporarily.
- 13. PAL/NTSC:** Select output mode for TV.
- 14. RECALL:** Return to the previous channel.
- 15. PAGE UP:** Press to move up pages in the menus.
- 16. LIST/OK:** Press to confirm choices and selection of a highlighted item or turn to the TV channel list.
- 17. V + :** Press to increase the volume level in viewing mode or change settings in menus.

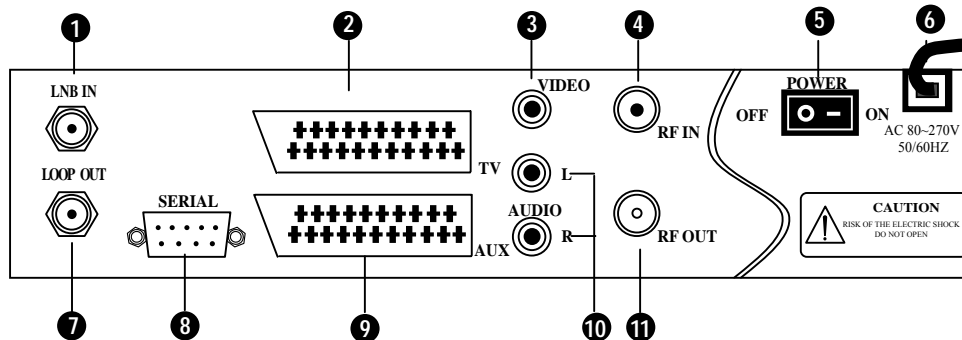
18. **P -** : Press to move down in the menus or turn to the previous channel in viewing mode.
19. **PAGE DOWN**: Press to move down pages on the menus.
20. **INFORMATION**: Display the information about the channel and program.
21. **AUDIO**: Press to select the **AUDIO** mode.

Front Panel



1. **POWER**: Press to put the DVB in and out of standby mode.
2. **UP/DOWN**: Press to change channels or move up/down in the menus.
3. **MENU**: Press to display the Main Menu on the screen or return to the screen from a submenu screen.
4. **LEFT/RIGHT**: Press to Increase/decrease the volume in viewing mode or change settings in menu.
5. **OK**: Press to confirm choices and selection of a highlighted item.
6. **POWER LED**: Red light refers to power on; light off refers to power malfunction.
7. **LOCK LED**: Green light refers the signal is locked; light off refers the signal is not locked.
8. **DIGITAL TUBE**: Showing current receiving program number.

Rear Panel



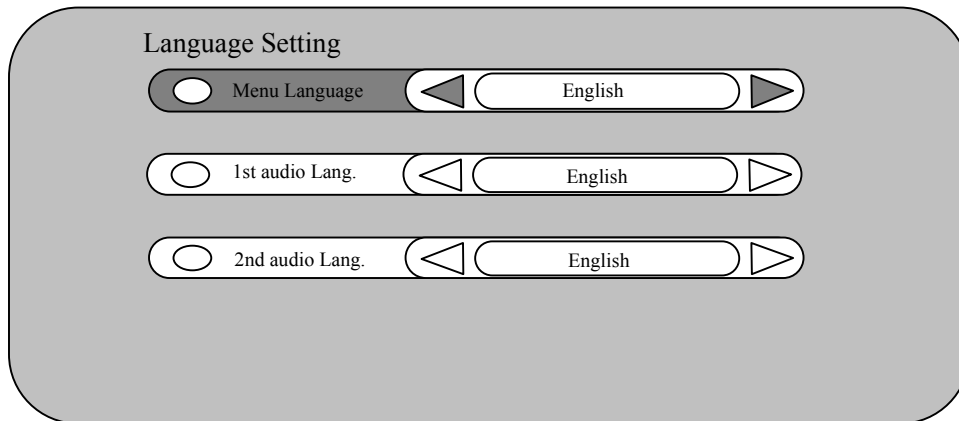
1. **LNB IN**: Use to connect an antenna.
2. **SCART TV(Optional)**: For connection to the TV.
3. **VIDEO**: For connection to the TV.
4. **RF IN(Optional)**: Connect a general antenna with the cable jacks to the RF input jack on the product.
5. **POWER**: Use to switch it on or off.
6. **POWER CABLE**: Connect to power source.
7. **LOOP OUT**: Output signals to the next receiver.
8. **SERIAL**: For connection to a PC.
9. **AUX(Optional)**: For connection to a VCR, or another audio/video source.
10. **AUDIO**: Audio signal to Hi-Fi system.
11. **RF OUT(Optional)**: Connect a RF signal from the product to RF input jack on your TV.

First Time Installation

Once you have correctly connected the DVB, you also have to perform a “first time installation”.

Language Setting

Press the MENU button, select[System Setting] [Language Setting], press the ◀/▶ button to select the appropriate language. Press the EXIT button to return.



Antenna Setting

Press MENU button, select[Installation] [Antenna Installation],

1. Satellite Installation

Select one or several Satellite which the antenna points to. Press the ◀/▶ button to select the satellite or press the OK button to display satellites list, use the / and OK button to select. After selecting satellites, press the Setup(green)button, you can continue with antenna setup.

2. Antenna Setup

Antenna

If you have just installed several satellites,you can select the first satellite to setup.

LNB Type

Press the ◀/▶ button to select the correct LNB type. The option includes “ Normal C ”, “ Normal Ku ” and “ Universal ”.

LNB Low Freq. and LNB High Freq.

LNB frequency displays the default value when LNB Type is selected. If you want to modify it, you can manually enter the frequency using the NUMERICAL(0~9) button, then press the OK button to confirm.

Transponder

You can check every transponder of the satellite. The selection of transponders are the same with satellite selection.

22K/12V

When you use a dual LNB or two antennas connected to a 22KHz tone switchbox, turn 22KHz tone switch on or off to select LNB or antenna.

DisEqc

Default value is Off. But if you use a DisEqc switch, select the corresponding “ DISEQC A/B/C/D

or Motor” with the ◀/▶ button.

LNB POWER

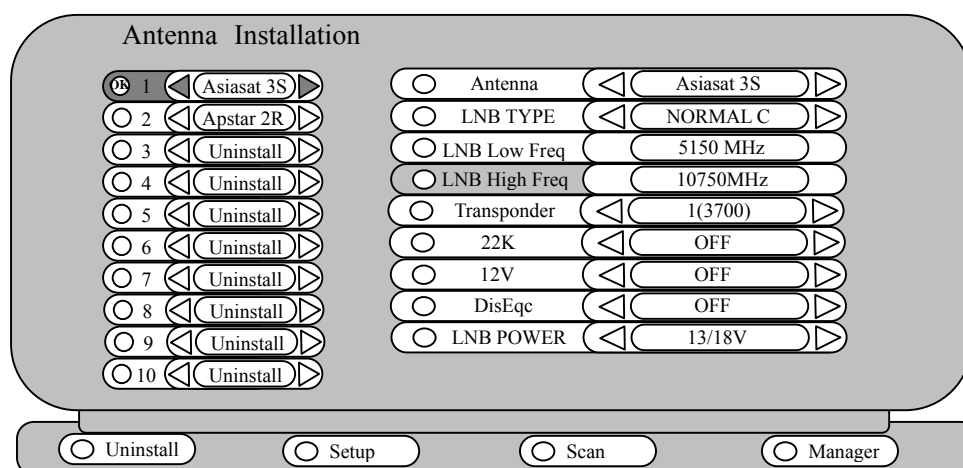
Default value is 13V/18V.

Note: If the antenna is correctly set up, the level at signal strength bar and quality bar ,which are located at the bottom of the screen, are generally moved up.

If you have more than one satellite, use the same way to setup them.

If you uninstall some satellite or change satellite at the same satellite position(1~60), the original satellite will be set to default settings. All the channels belong to it will be deleted.

After Antenna Setup, you can press the Scan(yellow) button to run Satellite Scan or use the way in the next chapter.



Satellite Scan

Press the MENU button, select[Installation] [Satellite Scan] ,

Use the / and the OK button to select one or more satellites, then press the scan(green) button and you can set search parameters as follows:

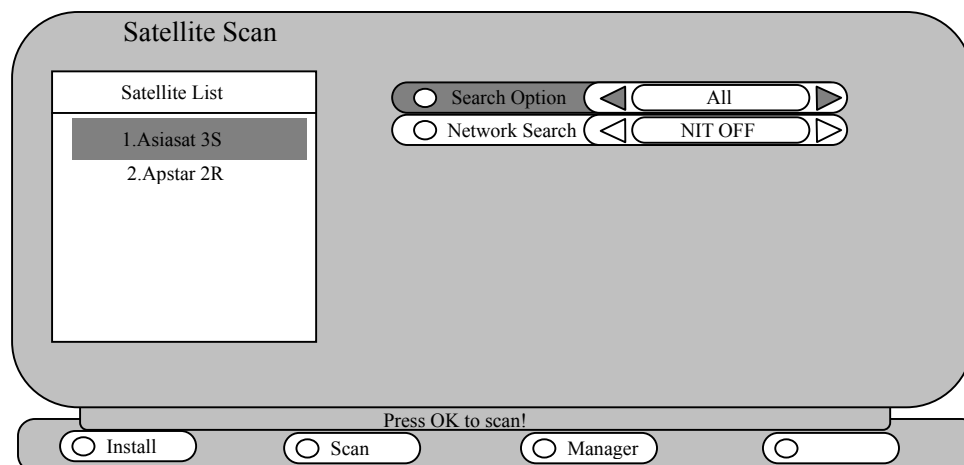
Search Option

Search all channels or only free channels.

Network Search

If your desired transponder provided the information of other transponder, you can determine whether or not to search the channel for other transponder. Select ON to run Network search.

Note: If the Automatic Search is stopped or finished, the searched result is automatically saved.



Basic Operation

Switching Channel

You can switch the current channel using one of the following methods.

1. Press the **P+/P-** button.
2. Enter your desired channel numeric using the NUMERICAL(0~9) buttons to move the channel directly.
3. Press the **TV/RADIO** button to switch between TV channel and Radio channel.
4. Press the **OK** button to display Channel list, Use the / and the OK button to select channel.

Sat List

Press the Sat List(red) button, all the installed satellites will be displayed on the screen. And you can define select range.

Fav List

Press Fav List(green)button to View favorite channel List. And you can define select range.

Note: Please refer to the next chapter for more information about Sat list and Fav list.

Volume Control

1. Press the V-/V+ buttons to adjust the audio volume.
2. Press the MUTE button to stop the sound temporarily.

Change an Audio Language

If the current program is available in multiple audio languages, you can select the language that you wish to listen in.

1. Press the **audio** button to display the soundtrack list.
2. Select your desired audio language using the / button to change Audio immediately.
3. Select Audio Direction(left,right,stereo)using the ◀/▶ button..

Note: You can change your desired default audio language by selecting **[system setting]** **[Language Setting]**.

EPG

The electronic program guide displays program information about each channel, based on the date and time.

Press the **OK** button to display the EPG list, select you desired channel using the / button and press the OK button, then the program guide for selected channel will be displayed. Using the ◀/▶ button to select time in time bar.

Sat List/ Fav List

Use to define select range.

Channel

1. Channel Manager

Sort

Press the Sort(red) button, there are four ways provided to sort all channels. Using the / and **OK** button to select one of them.

- 1) By **name a~z**
- 2) By **Free~CAS**
- 3) By **Sat**
- 4) By **manual**. After selecting this item, you can select a channel, then move the channel to your desired location with the / button, at last ,press the **OK** button to assure the location.

Delete

Press the Delete(green) button, there are four ways provided to delete channels. Using the / and **OK** button to select one of them.

- 1) Delete this Channel
- 2) Delete all Channel
- 3) Delete all CAS Channel
- 4) Delete all no Fav Channel

Edit

Press the Edit(yellow) button, You can change the attributes of the selected channel. The attributes of a channel include : Channel Name, PCR PID, Video PID, Audio PID, Lock, Skip

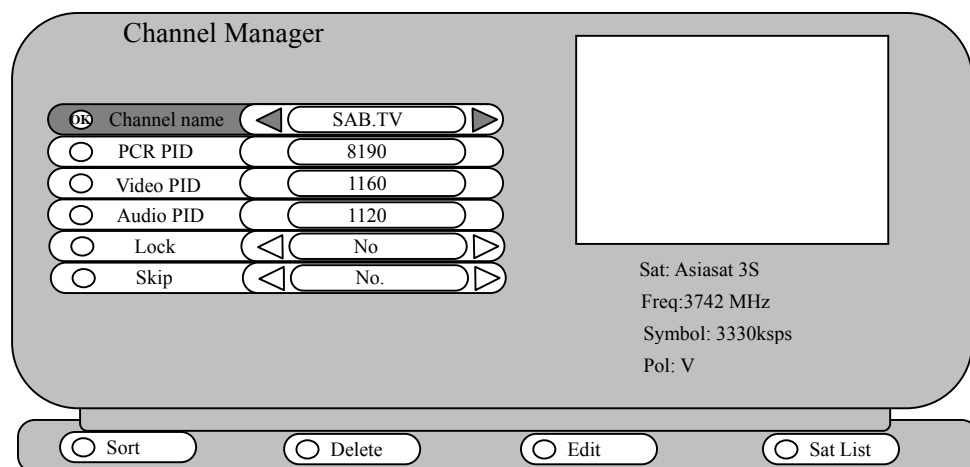
Note: Using the keyboard displayed on the screen to enter a channel name ;

Locking a channel won't be effective unless you lock the Menu in **[System Setting]** **[Parent Lock]**.

When skipping a channel is set, the channel will be skipped when using the / button. But it can be selected in the channel list or by directly entering the numerical button.

Sat List

Press the Sat List(blue) button, all the installed satellites will be displayed on the screen. And you can edit the channels belong to the selected satellite directly.



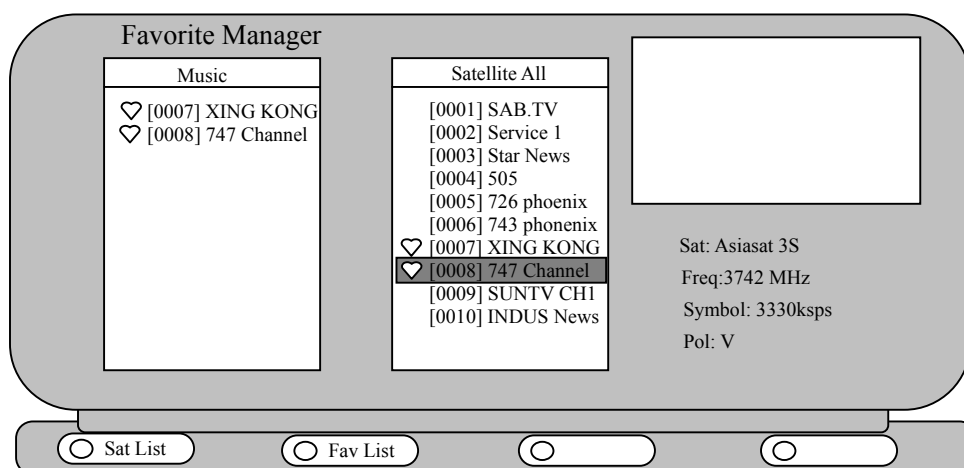
2. Favorites Manager

Sat List

Press the Sat List(red) button, you can edit the channels belong to the selected satellite directly.

Fav List

Press Fav List(green)button to View favorite type list. After selecting a favorite type, you can select a channel and use **OK** button to set this channel to the selected type of favorite list. Press the **OK** button again to cancel the selection.



Installation

1. Antenna Installation

See “FIRST TIME INSTALLATION” above.

2. Satellite Scan

See “FIRST TIME INSTALLATION” above.

3. Transponder Manager

Use the ◀/▶ button can change the installed satellite ; after selecting one transponder by using the /▼ button, you can edit, delete it or scan channels on it.

Add

Press the add(red) button, then enter the transponder frequency, symbol rate using the Numerical button, and select its polarization using the ◀/▶ button. Press **OK** button according to the information displayed on the screen when exit from this menu, and the transponder will be added.

Note: For channel transponder information, you can find your desired information from satellite channel magazine, Satellite channel related home pages, new release and home page of broadcasting company, etc.

Edit

Press Edit(green) button, you can modify its parameters.

Delete

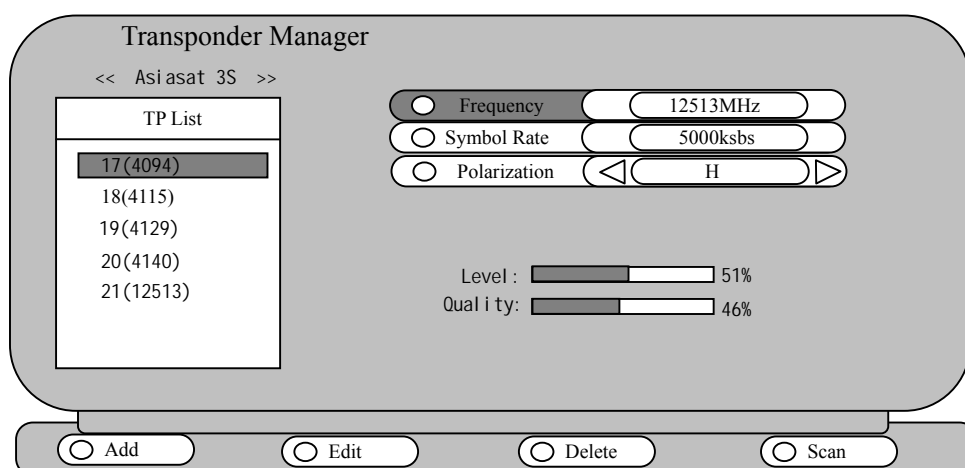
Press delete(yellow) button, then press the **OK** button to assure the operation. The selected transponder will be deleted.

Note: when you delete some transponder, you also delete all the channels belong to it.

Scan

Press scan(blue) button, then press the **OK** button after setting search parameters. The system will

begin to search channels of the selected transponder.



System Setting

1. Language Setting

See “FIRST TIME INSTALLATION” above.

2. OSD Setting

You can set the color scheme(color1~color6), Transparency(1~15), OSD timeout (1~10sec) of on screen display use the ◀/▶ button.

3. Parent Lock

You can lock menu by selecting lock. If you want to change PIN, you should enter the old pin first using the NUMERICAL button, then enter the new PIN, at last enter it again to confirm the verify password.

Note: The default password is “0000”.

4. TV Setting

TV Mode

Select one option among AUTO/PAL/NTSC/SECAM using the ◀/▶ button.

Auto The TV supports both PAL and NTSC.

PAL/NTSC/SECAM The TV supports only PAL/NTSC/SECAM.

Video Output

Select one option among CVBS/S-VHS/ RGB that matches your TV.

Screen Mode

You can select one option among Pan&Scan/Letter Box/Combined/Ignore according to TV Screen Ratio.

UHF Mode

You can select UHF Channels for the TV. The UHF Mode must be selected according to your local criterion. You can select from D/K, I, B/G, M.

UHF Channel

Use the ◀/▶ button to select the UHF Channel from the channel range.

5. Factory Default

Erase all channels or restore the receiver to the default setting.

Use the / button to select “Erase all channel” or “Factory default” and press the **OK** button, the system will display a warning, press the **OK** button again to assure the operation.

6. Time Setting

You can set GMT offset for current time or enter time manually.

GMT Usage

If you select **on**, you can select GMT offset with the ◀/▶ button; if you select **off**, you should enter current time manually with **NUMERICAL** buttons.

7. Timer

Schedule

Select schedule number 1~4.

Task

Select from none/stand by/Power on/tune channel.

Start Time

Enter start time use the **NUMERICAL** button manually.

TV/Radio

If the task is tune channel, you can select the type of the desired channel is TV or radio.

Channel No.

If the task is tune channel, you can select the desired channel by the ◀/▶ button. You also can display the channel list by press the **OK** button and select channel from the list.

Note: If you set different task at the same time, the system will execute them by the order of schedule number.

GAME

The system provides three games for user’s entertainment. They are Tetris, Snake and Sokoban. According to the instruction displayed on the screen, you can enjoy the game using / / ◀/▶ and the **OK** button.

Accessory

1. System Upgrade

Transfer Type

You can select transfer type using the ◀/▶ button from IRD to IRD/ PC to IRD/ IRD to PC.

Transfer Mode

Select one option among data/software/loader.

Transfer State

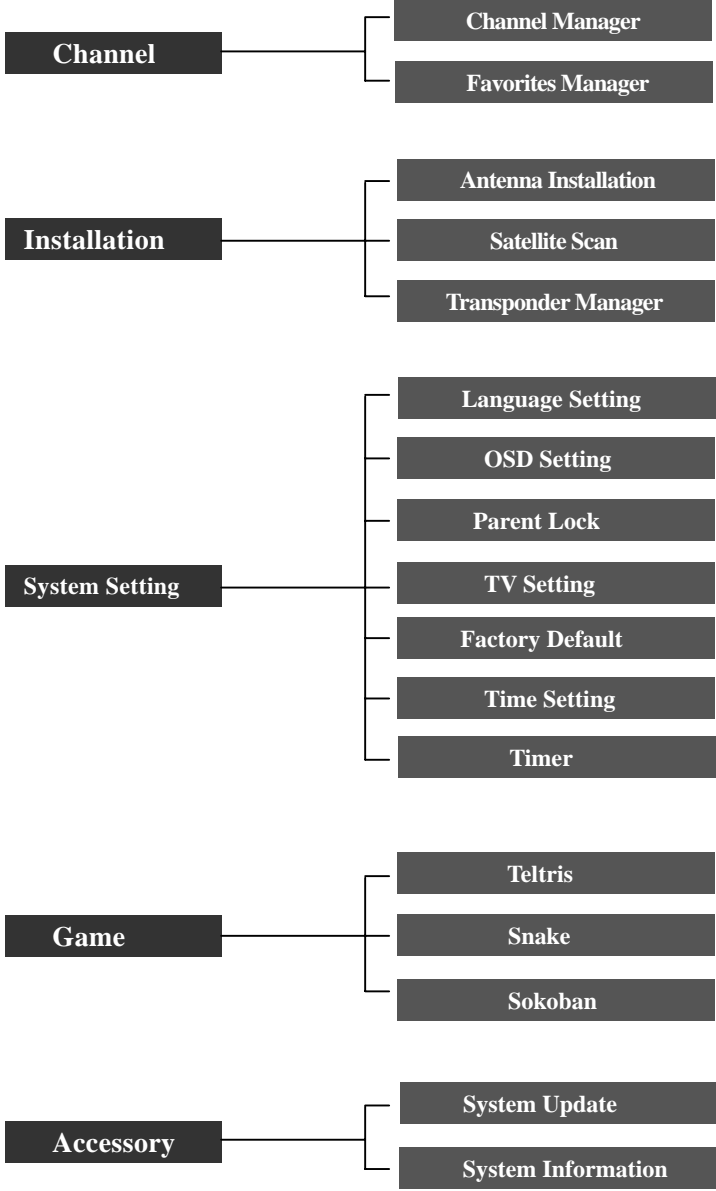
If the transfer type is IRD to IRD, you must define whether it is a master or a slave.

Note: After finishing setting, press **OK** button at the option of transfer/receive to start upgrade procedure.

2. System Information

You can view system information in this menu.

Menu Map



Trouble Shooting

Before contacting your local service, please make sure following instructions. If the product does not work normally after completing the following trouble shooting, please contact your local distributor or service center.

1. No message is displayed on the front panel or product has no power.
 - check the main power cable and check that it is plugged into a suitable power outlet.
 - check whether the power switch is On.
2. No picture
 - make sure that the product is in operation mode.
 - make sure that the AV cable is firmly connected to the TV.
 - make sure that Antenna line is correctly connected to the equipment.
 - make sure that Antenna Setting is correct.
 - check the brightness level of TV.
 - check the channel is on air.
3. Poor picture & sound quality
 - install the antenna in a place where there is no obstacle.
 - make sure there is no mobile phone or microwave oven near the equipment.
 - use 75 coaxial cable to connecting TV and antenna.
 - keep the product and the antenna cable for satellite far away from each other.
 - make sure the receiving level, and adjust antenna if the level is low. The receiving level can be influenced by whether.
 - change satellite dish into bigger one if satellite dish is small.
 - replace LNB with the one with low noise factor if the noise factor is high.
 - replace LNB with new one if it is damaged or out of order.
4. No or poor sound
 - check the volume level of the TV and Receiver.
 - check the mute status of the TV and product.
5. Remote controller does not operate
 - to control the equipment with the remote controller, the remote controller's top end should directly point towards the receiving part of receiver's remote controller.
 - check the battery of remote controller.

Technical Specifications

Transmission standards

DVB, MPEG 2

LNB / Tuner input

Connector	1x F-type (LNB)
RF input frequency	950-2150 MHz
RF input power level	-20 to -65 dBm
Supply voltage	13 /18 V \pm 5%
Max. current	500 mA, overload protected
Control voltage	22 kHz, 0.65 V _{pp}
DiSEqC	Tone burst A/B or Level 1.2
RF impedance	75

TV SCART (Optional)

Video output	1 V _{pp} (\pm 1 dB) / 75
Audio output	0.5 V _{rms} / R _L >10 k
RGB output	Internal RGB
RGB bandwidth	5.8 MHz \pm 3 dB
Fast blanking output	Internal or from AUX SCART
Status output	0/6/12 V / R _L 10 k.

AUX SCART (Optional)

Video output	1 V _{pp} (\pm 1 dB) / 75
Video input	1 V _{pp} / 75
Audio output	0.5 V _{rms} / R _L >10 k
Audio input	0.5 V _{rms} / R _L >10 k
Status input	0/6/12 V / R _L >10 k

DIGITAL AUDIO (S/PDIF)

Connector	1 x RCA
-----------	---------

AUDIO R L

Connector	2 x RCA (R+L)
Output	0.5 V _{rms} \pm 0.5 dB / R _L 10 k

SERIAL (RS 232) serial data

Connector	9-pin D-sub male
Signals	RS232, max. 115.2 kbit/s
Pin: 1 DCD	(Data carrier detect) not connected
2 RXD	(Receive data)
3 TXD	(Transmit data)
4 DTR	(Data terminal ready) Set to high
5 GND	(Signal ground)
6 DSR	(Data set ready) not connected
7 RTS	(Ready to send)
8 CTS	(Clear to send)
9 RI	(Ring indicator) not connected

Other data

The model code, variant and serial number, are located on a label on the underside of the housing.

Supply voltage	110-240V AC, 47-63Hz
Power consumption max	20 W at 500mA LNB load
Power consumption in standby	5W
Operating temperature	0 to +50 °C
Storage temperature	- 40 to +65 °C
Humidity	25 to 90 % rel humidity
Operating distance for remote control	max 10 metres
Dimensions (w x d x h)	340 x 244 x 60 mm
Weight	2500 g approx

SCART sockets (Optional)

	TV	AUX
1	Audio out right ch.	Audio out right ch.
2	-	Audio in right ch.
3	Audio out left ch.	Audio out left ch.
4	Audio ground	Audio ground
5	RGB blue ground	Ground
6	-	Audio in left ch.
7	RGB blue signal out	-
8	Switch voltage out	Switch voltage in
9	RGB green ground	Ground
10	Connect to pin 10 in AUX scart.	
11	RGB green signal out	-
12	-	-
13	RGB red ground	Ground
14	Fast blank. ground	Ground
15	RGB red signal out	-
16	Fast blanking out	-
17	Video out ground	Video out ground
18	Ground	Video in ground
19	Video out	Video out
20	-	Video in
21	Ground (casing)	Ground (casing)

